

Corma Planetary Cut-Off

Model CRCO-830

Model CRCO-1530

Model CRCO-2030

Model CRCO-3030

Model CRCO-4030

Model CRCO-6030



Model CRCO-4030 illustrated
(200 mm - 1500 mm)*



Model CRCO-1530 illustrated
(50 mm - 700 mm)*

Some advantages of the Corma Planetary Cut-Off:

- A totally new patent pending pipe cut-off for single wall and double wall corrugated pipes with and without in-line couplings.
- Adaptable for PE, PP and PVC using a single knife to produce clean cuts with no chipping.
- All functions for clamping, travel speed and cutting are by electric power for user friendly operation.
- Size change is simplified to exchange of clamp shell inserts, install the exit pipe guide and call up pre-programmed pipe sizes on the PLC.
- Synchronization from the corrugator controls clamping, speed of floating table, automatic knife positioning and cutting speed.
- Pipe without couplings requires only a single cut operation.
- When cutting pipes with single and double layer couplings the pipe will be clamped and the first cut will be done on the coupling. Then, the pipe which is still clamped will be repositioned to make the second cut removing the transition section of the pipe.
- Option for making cuts of one or more corrugations for quality control samples using second cut function.
- Manufactured under strict ISO 9001-2008 procedures to meet customer's requirements and bear the CE stamp of conformity to the European technical and safety standard.

Corma Inc.

10 McCleary Court
Concord (Toronto)
Ontario, Canada
L4K 2Z3
Tel.: (905) 669-9397
Fax: (905) 738-4744
Internet: <http://www.corma.com>
E-mail: info@corma.com

Corma Inc.

10 McCleary Court
Concord (Toronto)
Ontario, Canada L4K 2Z3
Tel: (905) 669-9397
Fax: (905) 738-4744
Internet: <http://www.corma.com>
E-mail: info@corma.com

International Sales and Service Offices:

Corma Deutschland GmbH
Immermannstraße 13
D-40210 Düsseldorf
Germany
Tel: 49-211-434688
Fax: 49-211-9350150

Corma Eastern Europe

Fatranska Str. 3
P.O. Box 28 D
94901 Nitra
Slovakia
Tel: 421 37 653 7420
Fax: 421 37 653 7420
E-mail: tkrivosiik@corma.com

Corma Shanghai Co., Ltd.

588 Qiangye Road
Sheshan Industrial Zone
Songjiang District, Shanghai
201602
P.R. China
Tel: 86-21-5779-4175 & 6
Fax: 86-21-5779-4159
E-mail: cormash@mail.online.sh.cn

Corma Latin America

Avenida los Eucaliptos 3-C,
Brisas de las Mercedes
Zaragoza, La Libertad, El Salvador
Central America
Tel: 503-2566-2297
Fax: 503-7797-5667
E-mail: fsolano@corma.com

Corma India

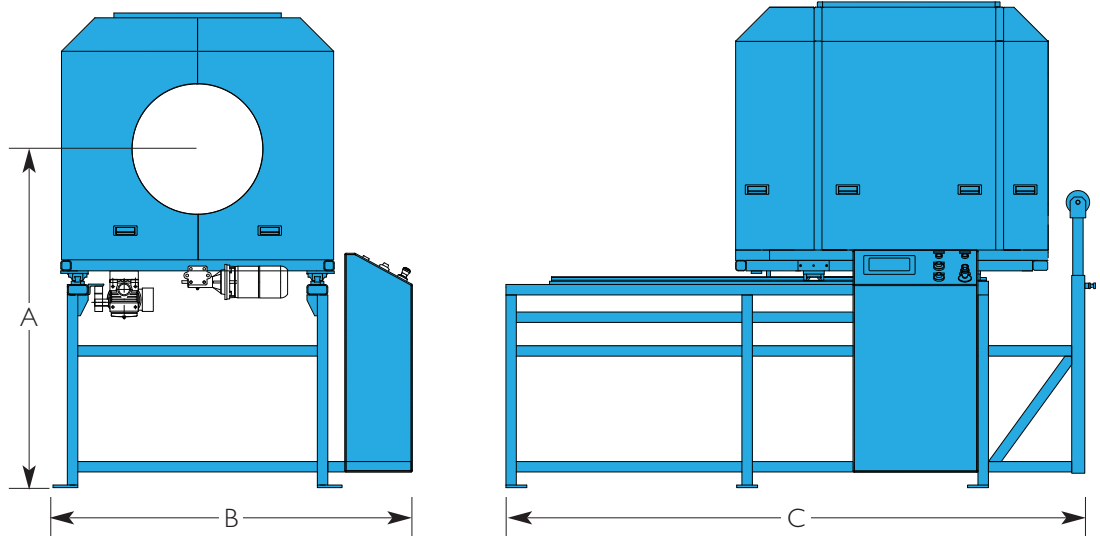
1124, Regus Grandeur,
Earth Arise Building,
S.G Road, Makarba
Ahmedabad - 380015
Gujarat, India
Tel: 91-79-6134-4542
E-mail: bpawar@corma.com

Technical Data

Planetary Cut-Off Model	Pipe Range Min. to Max.			
	Millimeters		Inches	
CRCO-830	I.D. 50	O.D. 300	I.D. 2	O.D. 12
CRCO-1530	I.D. 50	O.D. 700	I.D. 2	O.D. 27.5
CRCO-2030	I.D. 100	O.D. 800	I.D. 4	O.D. 32
CRCO-3030	I.D. 100	O.D. 1200	I.D. 4	O.D. 48
CRCO-4030	I.D. 200	O.D. 1500	I.D. 8	O.D. 60
CRCO-6030	I.D. 450	O.D. 1800	I.D. 18	O.D. 72

Machine Dimensions

Planetary Cut-Off Model	A) Centre Height		B) Width		C) Length		Weight Approx.	
	mm	in.	mm	in.	mm	in.	kg	lbs.
CRCO-830	1160	45.75	1285	50.5	2720	107	907	2000
CRCO-1530	1730	68	1803	71	2850	112	2041	4500
CRCO-2030	1300	51.1875	1930	76	2850	112	2141	4720
CRCO-3030	1585	62.37	3100	122	3965	156	5443	12000
CRCO-4030	1845	72.625	2620	103	4220	166	6123	13500
CRCO-6030	2055	81	3100	122	4220	166	6350	14000



* Picture not exactly as shown and may include, among other things, attached guards and safety devices, as set out in manufacturer's specifications.

Elements of the technology, operations and applications outlined herein are patented worldwide in selected countries, and are the sole property of Corma Inc.

Any publication in whole or in part is subject to authorization by Corma Inc.

Corma reserves the right, in the interest of technical advancement, to change the designs and specifications without prior notice.

Printed in Canada. © April 2017 by Corma Inc.